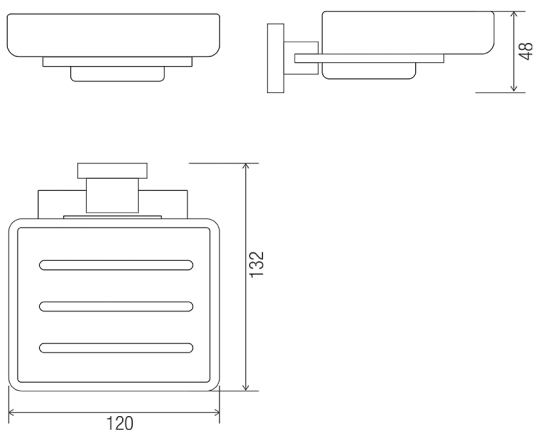


**DIMENSIONS**



**INDICATIVE IMAGE**



**SOAP DISH HOLDER**

**Product Code - Finish**

- BA 501 C - Chrome

**Features**

- Wall mounted soap dish holder
- Frosted glass dish
- Brass construction
- Chrome plated finish
- Stainless steel fixings supplied

**Compliance**

- Not required for sale

**Warranty**

See Con-Serv warranty policy for full details.

**CON-SERV CORPORATION AUSTRALIA PTY. LTD.**

17 Glentanna Street, Kedron · Qld. 4031 Australia

Phone: +61 (0)7 3630 5744 · Fax: +61 (0)7 3630 5755 · Email: mail@con-serv.com.au · www.con-serv.com.au